

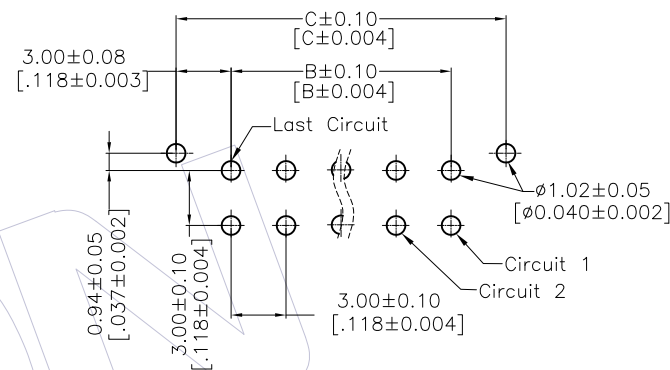
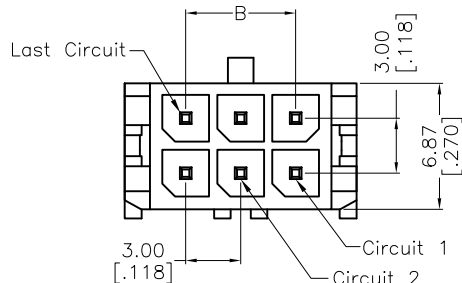
HSF

NOTES:

Current Rating:5.0A AMP
 Contact Resistance:10milliohm Max
 Withstand Voltage:1000V AC/Minute
 Insulation Resistance:1000Megohm Min
 Operation Temperature:-25°C to +85°C

Housing Material:LCP+30%GF(UL94V-0)
 Contact Material:Copper alloy
 Contact plating:Au/Sn over Ni Plating

RECOMMENDED PCB LAYOUT
 TOLERANCE IS ±0.05



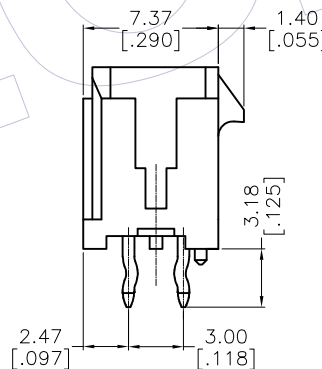
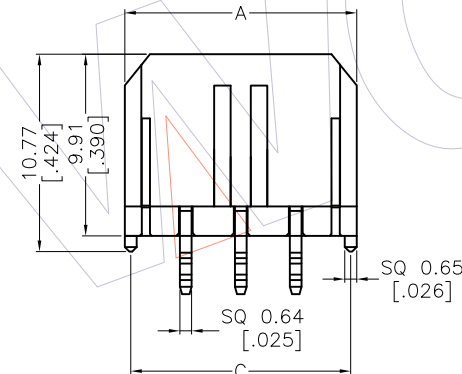
Ordering Information

WF3001-2 WS XX B X 1

Terminal shape:
 WS:Wafer 180° DIP

NO.of Pins Per
 Row:01~12Pin

Packing:
 0=PE Bag
 T=Tube
 A=Tray
 R=Tape&Reel



| Circuit | A | B | C |
|---------|--------------|--------------|--------------|
| 02 | 6.65[0.262] | NA | 6.00[0.236] |
| 04 | 9.65[0.380] | 3.00[0.118] | 9.00[0.355] |
| 06 | 12.65[0.498] | 6.00[0.236] | 12.00[0.473] |
| 08 | 15.65[0.616] | 9.00[0.355] | 15.00[0.591] |
| 10 | 18.65[0.735] | 12.00[0.473] | 18.00[0.709] |
| 12 | 21.65[0.853] | 15.00[0.591] | 21.00[0.827] |
| 14 | 24.65[0.971] | 18.00[0.709] | 24.00[0.945] |
| 16 | 27.65[1.089] | 21.00[0.827] | 27.00[1.063] |
| 18 | 30.65[1.207] | 24.00[0.945] | 30.00[1.181] |
| 20 | 33.65[1.325] | 27.00[1.063] | 33.00[1.299] |
| 22 | 36.65[1.443] | 30.00[1.181] | 36.00[1.418] |
| 24 | 39.65[1.561] | 33.00[1.299] | 39.00[1.536] |

| REV | DATE | MODIFICATION DESCRIPTION | CHANGE | OPERATION | | DRAW FZY | DATE | SCALE | 1:1 | PART NO. △ WF3001-2WSXXBX1 |
|-----|------------|---------------------------------------|--------|-----------|-------|-------------|------|-------|------------|---|
| | | | | X.X | ±0.40 | | | | | |
| A1 | 2012.05.02 | 料号由WF3001-2WSHXXBX1变更为WF3001-2WSXXBX1 | Atomy | X.XX | ±0.25 | CHECK | DATE | UNIT | mm inch | TITLE: 3.00 WAFER DUAL ROW 180° DIP WITH POST |
| A0 | 2011.12.20 | NEW | - | X.XXX | ±0.15 | APPROVE | DATE | SIZE | A4 | Customer NO. |
| | | | | Angle | ± 3' | | | SHEET | 1/1 | |
| | | | | DIM | TOL | | | PROJ. | ☉ | |

WCON
 Http: www.wcon.com

WCON-Dongguan
 Tel: +86 769 85358920
 Fax: +86 769 85358915
 E-mail: sales@wcon.com

WCON-Kunshan
 Tel: +86 512 57468408
 Fax: +86 512 57468468
 E-mail: salesks@wcon.com