

HSF

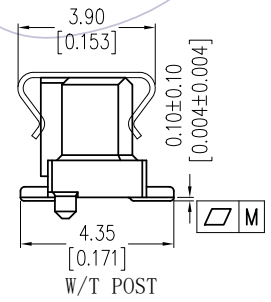
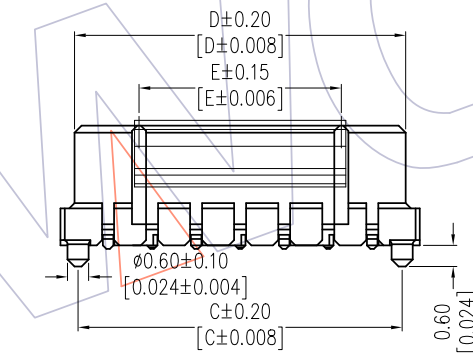
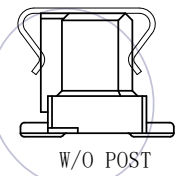
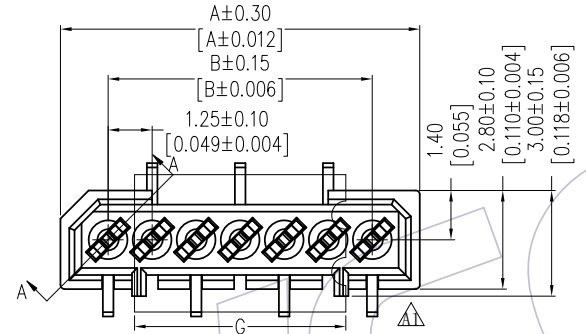
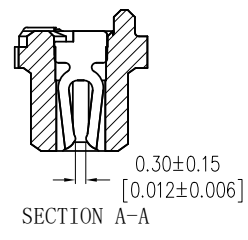
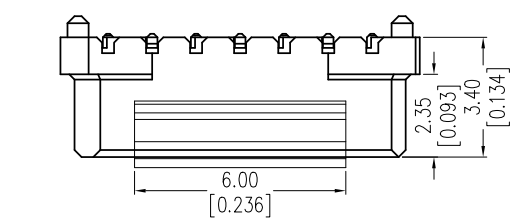
NOTES:
 Voltage Rating: 50V AC/DC
 Current Rating: 0.5AMP
 Contact Resistance: 20mΩ max
 Withstand Voltage: 500V AC/Minute
 Insulation Resistance: 500MΩ min
 Operation Temperature: -40℃ to +105℃

Contact Material: Phosphor Bronze
 Contact Plating: 100~200u" Tin Plated Over
 50~80u" Nickel
 Insulator Material: PA9T+33%GF UL94V-0 BLACK

Ordering Information

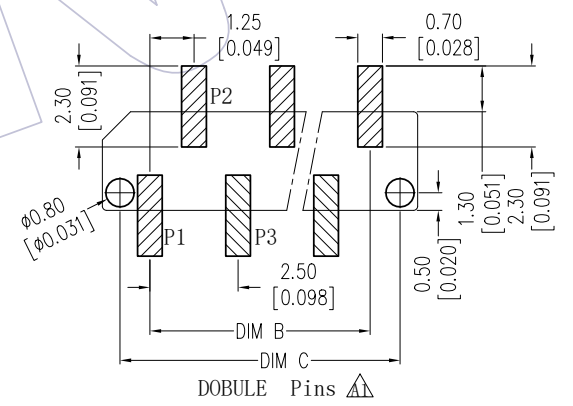
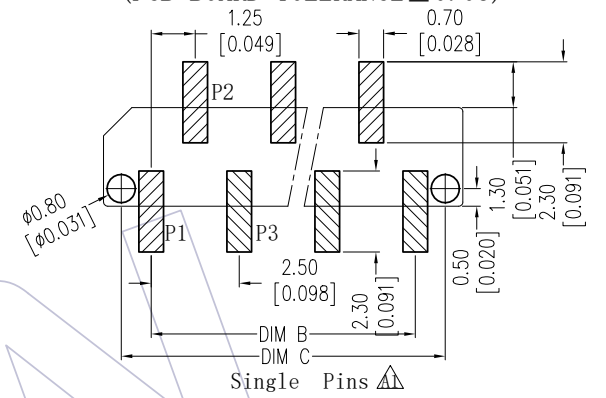
3652- S XXX - 034 XX R0X

No. of Pins	Plating	Packing
004: 04 Pin	G0=Gold Flash	R=Tape&Reel
005: 05 Pin	G3=10u"Gold	
006: 06 Pin	G4=15u"Gold	
007: 07 Pin	G5=30u"Gold	
008: 08 Pin	SN=Tin	
010: 10 Pin		
017: 17 Pin		
020: 20 Pin		



Recommended P.C.B Layout (Top Side)

(PCB BOARD TOLERANCE ±0.05)



21.99	25.65	25.45	23.75	26.45	20
18.24	21.90	21.70	20.00	22.70	17
9.49	13.15	12.95	11.25	13.95	10
6.99	10.65	10.45	8.75	11.45	8
5.74	9.40	9.20	7.50	10.20	7
4.49	8.15	7.95	6.25	8.95	6
3.24	6.90	6.70	5.00	7.70	5
1.99	5.65	5.45	3.75	6.45	4
E	D	C	B	A	PIN. NO.

3652-SXXX-034XXR05	W/O POST	
3652-SXXX-034XXR06	W/T POST	
Pos	PART NO.	DIM G
4-7PIN	CAP2521-M201	6.00
8-10PIN	CAP2300-G101	6.00
17-20PIN	CAP2521-M201	6.00

PIN	4-10P	11-20P
M	0.10	0.15

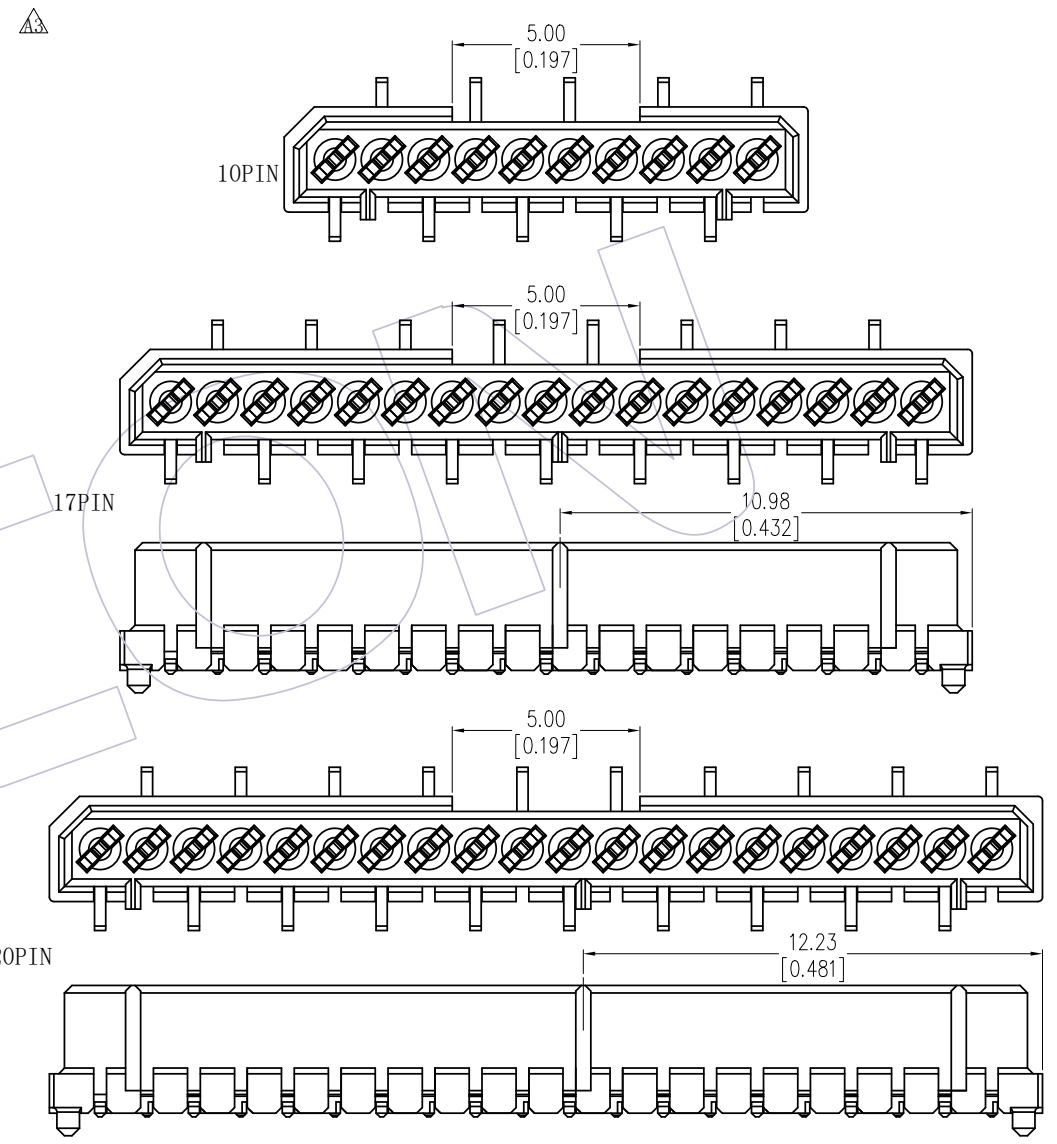
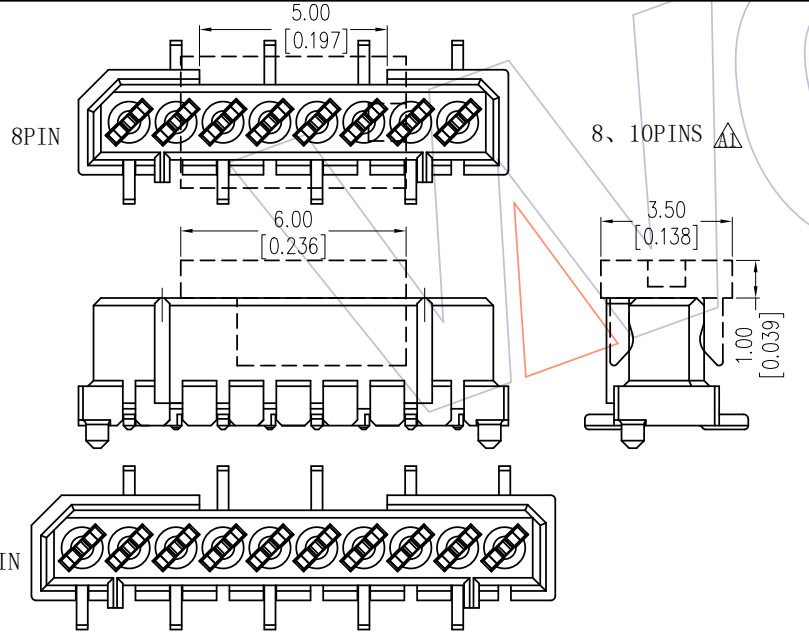
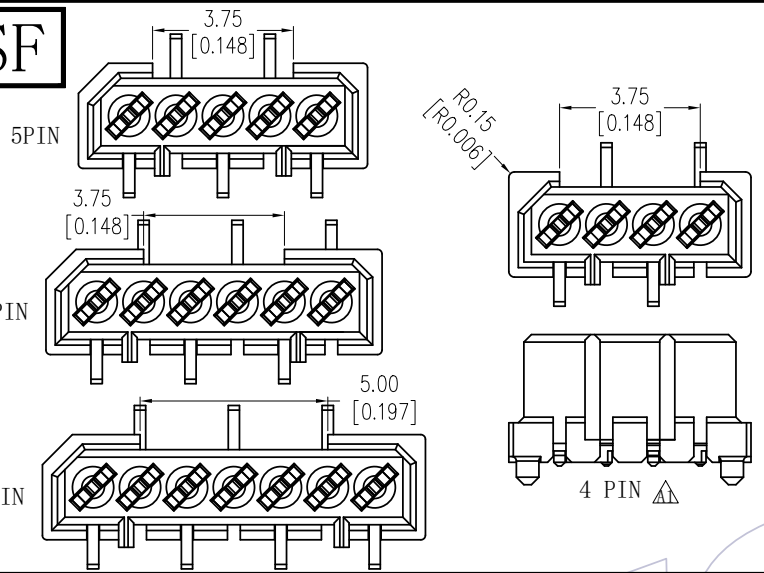
A3	2018. 11. 13	Modify	----	OPERATION	DRAW	DATE	SCALE	FIT	PART NO.
A2	2018. 01. 26	Modify	----	X.X ±0.40	Ding	2018. 11. 13	UNIT	mm	3652-SXXX-034XXR0X
A1	2017. 12. 20	Modify	----	X.XX ±0.25	CHECK	DATE	SIZE	A4	
A0	2016. 10. 20	NEW	----	X.XXX ±0.15	APPROVE	DATE	SHEET	1/2	TITLE:
REV	DATE	MODIFICATION DESCRIPTION	CHANGE	Angle ± 3'			PROJ.	Customer NO.	1.25mm BTB FEMALE , 180° SMT, H=3.4

WCON
 Http: www.wcon.com

WCON-Dongguan
 Tel: +86 769 85358920
 Fax: +86 769 85358915
 E-mail: sdes@wcon.com

WCON-Kunshan
 Tel: +86 512 57468408
 Fax: +86 512 57468468
 E-mail: sdesks@wcon.com

HSF



A3	2018. 11. 13	Modify	----	OPERATION	DRAW	DATE	SCALE	FIT	PART NO.
A2	2018. 01. 26	Modify	----	X.X	Ding	2018. 11. 13	UNIT	mm	3652-SXXX-034XXR0X
A1	2017. 12. 20	Modify	----	X.XX	CHECK	DATE	SIZE	A4	TITLE:
A0	2016. 10. 20	NEW	----	X.XXX	APPROVE	DATE	SHEET	2/2	1. 25mm BTB FEMALE , 180° SMT, H=3. 4
REV	DATE	MODIFICATION DESCRIPTION	CHANGE	Angle			PROJ.		Customer NO.
				DIM	TOL				

WCON
Http: www.wcon.com

WCON-Dongguan
Tel: +86 769 85358920
Fax: +86 769 85358915
E-mail: sales@wcon.com

WCON-Kunshan
Tel: +86 512 57468408
Fax: +86 512 57468468
E-mail: salesks@wcon.com