

# HSF

NOTES:  
 Rated Current: 0.5~1.0 AMP.  $\Delta$   
 Contact Resistance: 25m $\Omega$  Max.  
 Withstand Voltage: 500V  
 Insulation Resistance: 10000M $\Omega$  Min.  
 Operation Temperature: -55°C to +125°C

Contact Material: Phosphor Bronze  
 Contact Plating: Sn and Au over Ni  
 Tail Material: Phosphor Bronze  
 Tail Plating: Sn over Ni  
 Main Body Material: LCP

## Ordering Information

3910-P XXX-082 Z XX WR 1

No. of Pins  
 010: 10 Pin  
 020: 20 Pin  
 100: 100 Pin

Plating  
 S0=Gold Flash/Tin  
 S1=3U" Au/Tin  
 S3=10U" Au/Tin  
 S4=15U" Au/Tin  
 S5=30U" Au/Tin

Package  
 R: Tape & Reel

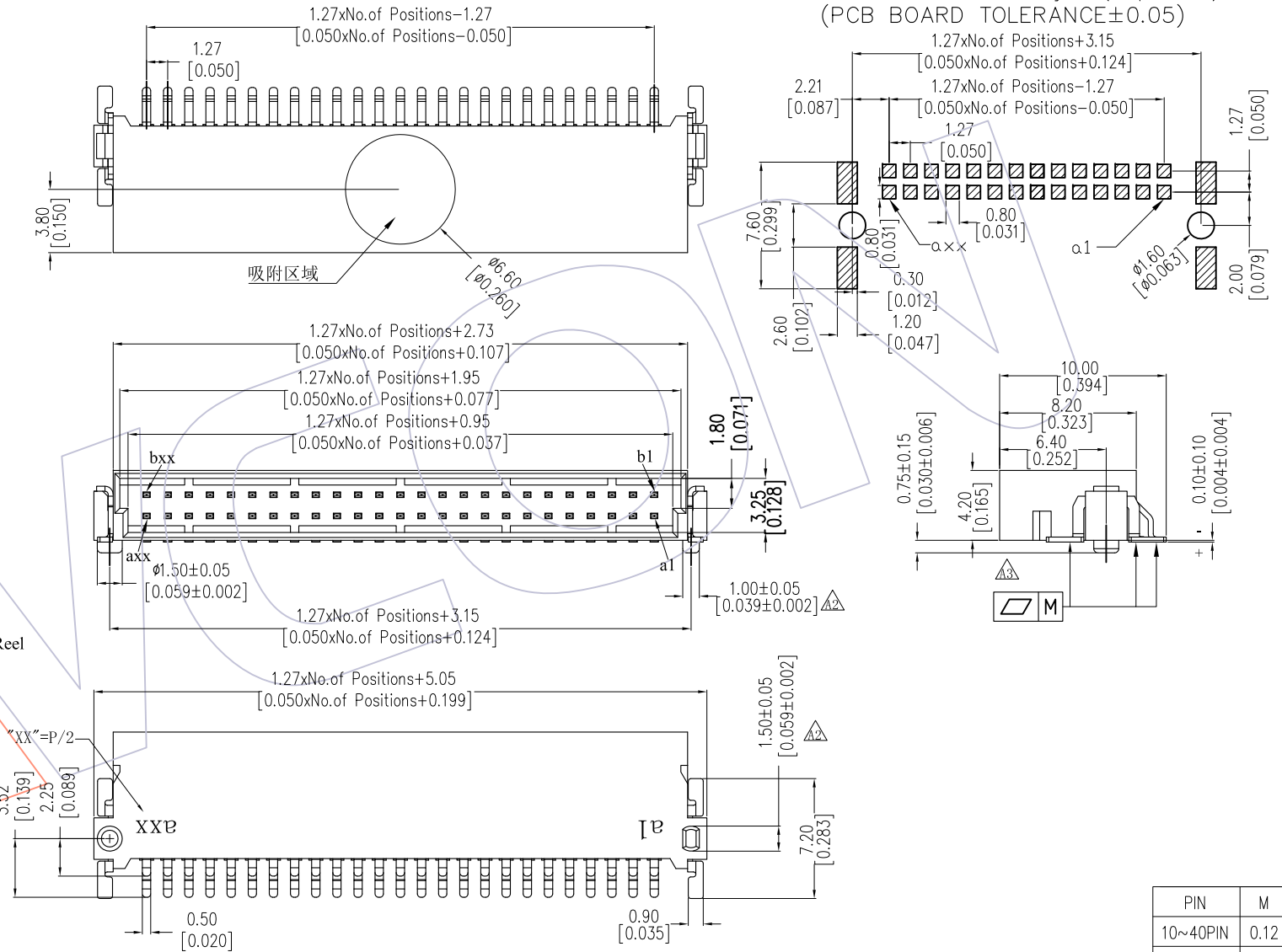
XX=P/2

3.52  
 [0.139]

2.25  
 [0.089]

axx

Recommended P.C.B Layout (Top Side)  
 (PCB BOARD TOLERANCE  $\pm 0.05$ )



PIN	M
10~40PIN	0.12
42~100PIN	0.15

REV	DATE	MODIFICATION DESCRIPTION	CHANGE	DIM	TOL	APPROVE	DATE	PROJ.	SCALE	SHEET	PART NO.	TITLE:
A4	2018/05/04	Modify	—	x.x	$\pm 0.40$	OPERATION	2018/05/04	1:1	mm	1/1	3910-PXXX-082ZXXWR1	1.27Pitch SDC CONNECTORS MALE "E" TYPE (TYPE B)
A3	2018/02/05	Modify	—	x.xx	$\pm 0.25$	DING	DATE					
A2	2017/12/29	Modify	—	x.xxx	$\pm 0.15$	CHECK	DATE					
A0	2017/08/28	NEW	—	Angle	$\pm 3'$	APPROVE	DATE					
											Customer NO.	

**WCON**  
 Http: www.wcon.com  
 WCON-Dongguan Tel: +86 769 85358920  
 WCON-Kunshan Tel: +86 512 57468408  
 Fax: +86 769 85358915  
 Fax: +86 512 57468468  
 E-mail: sales@wcon.com  
 E-mail: salesks@wcon.com